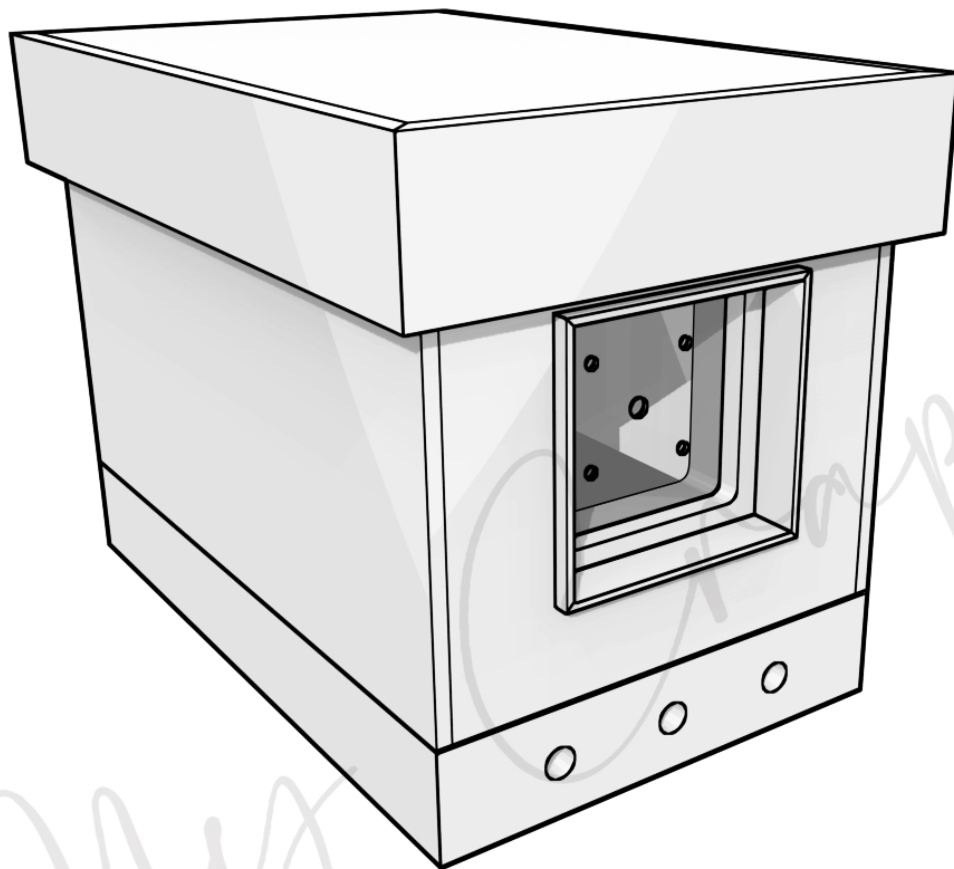


# Cat House Plans by My Crappy House

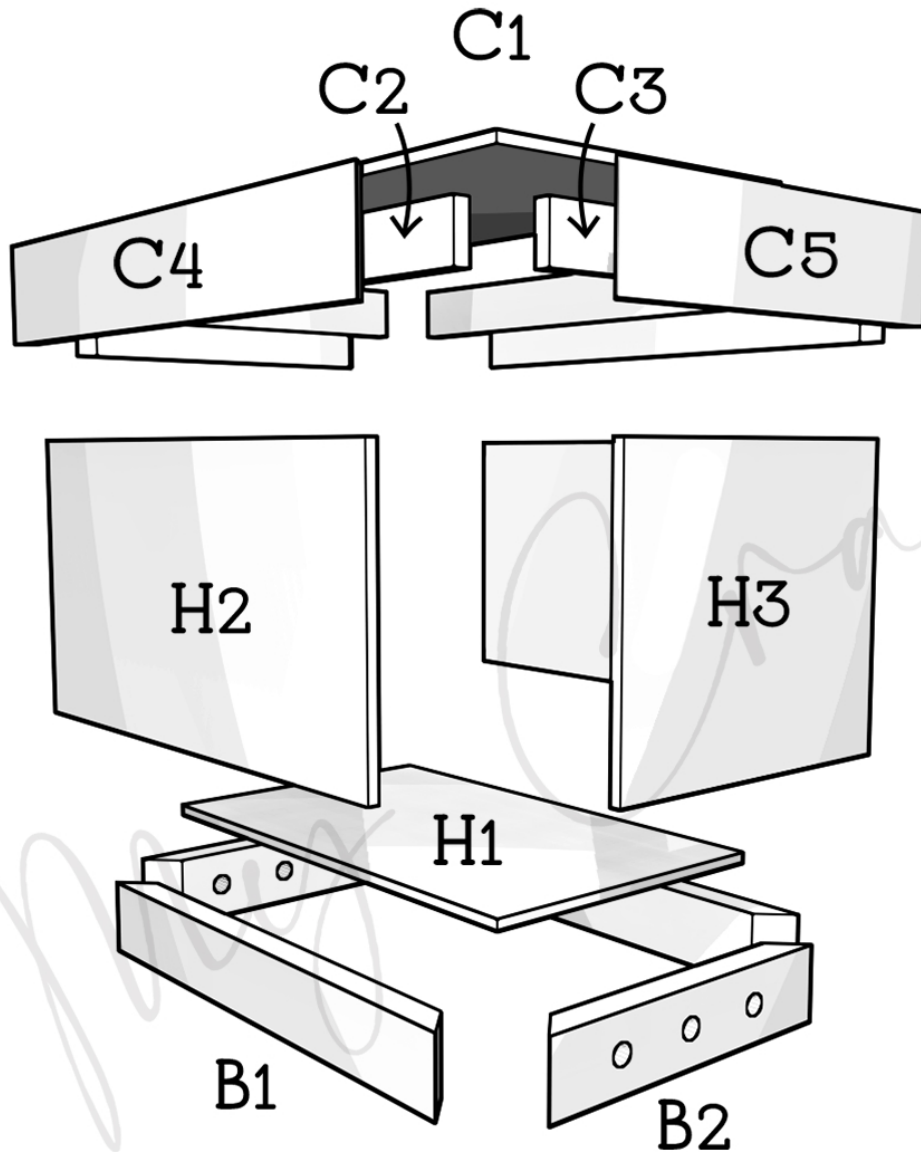


Igloo 48 Qt Laguna Cooler  
Ideal Pet Products cat door  
One 4x8 sheet ½" plywood  
One 1x3x8  
One 1x5x8  
One pressure treated 2x4x8  
Trim molding, 3ft  
Tape measure  
Circular saw  
Saw horses  
Miter saw  
Electric drill  
¾" spade bit  
Assorted smaller bits  
Wood glue  
Large clamp  
Medium clamps  
More assorted clamps  
Jigsaw  
Nail gun  
½" insulation foam  
Great Stuff  
Utility knife  
Spray adhesive  
Tape

[Click here to visit mycrappyhouse.com](http://mycrappyhouse.com) for additional project resources.

© My Crappy House

# Cat House Cut List by My Crappy House



## Cover

- C1 Top (Ply) 26" x 16.25" (x1)
- C2 Inner lip (1x3) 26" (x2)
- C3 Inner lip (1x3) 14.75" (x2)
- C4 Outer Frame (1x5) 27.5" (x2)
- C5 Outer Frame (1x5) 17.75" (x2)

## House

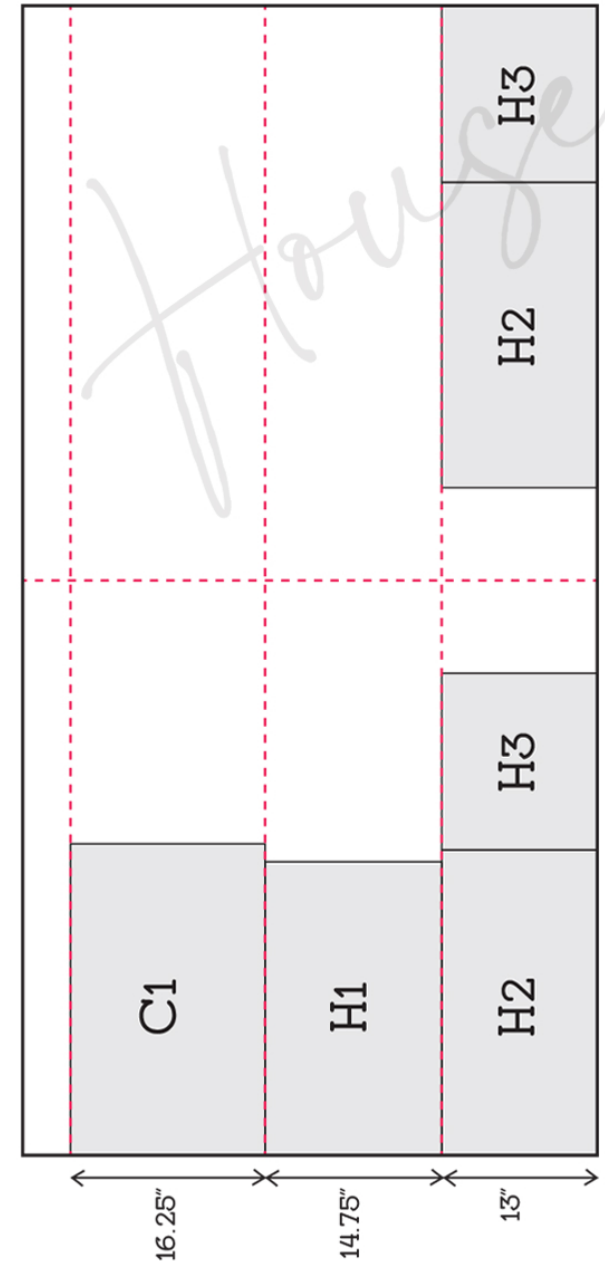
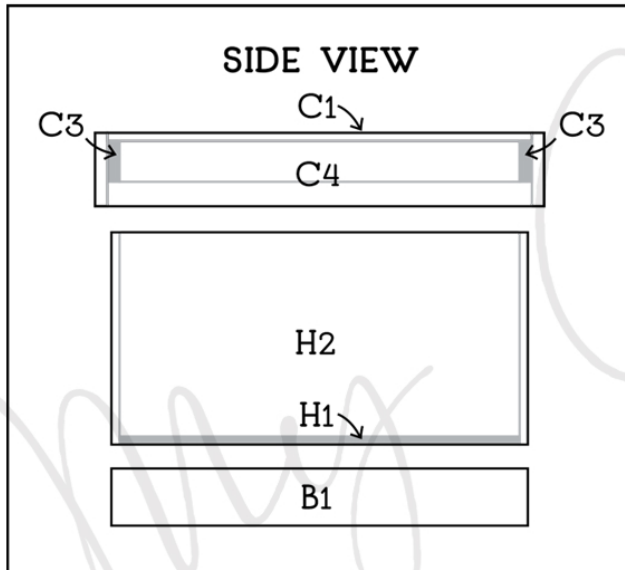
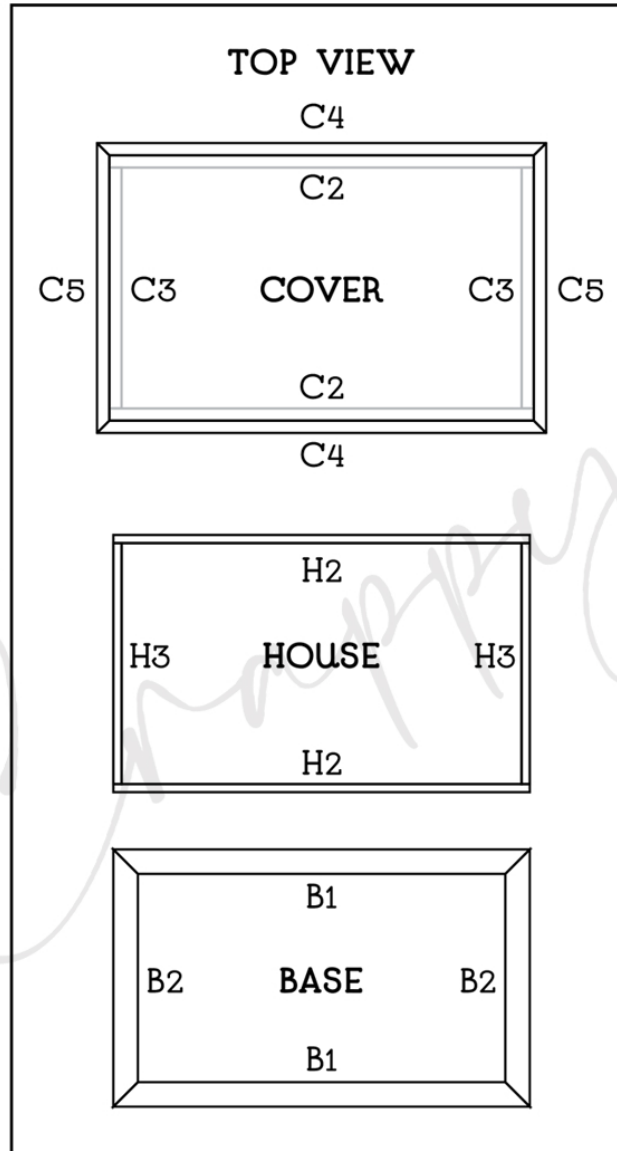
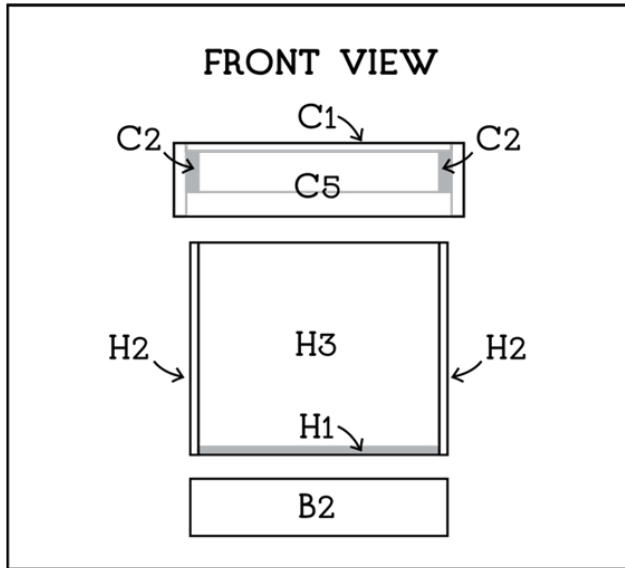
- H1 Bottom (Ply) 24.5" x 14.75" (x1)
- H2 Sides (Ply) 25.5" x 13" (x2)
- H3 Front/Back (Ply) 14.75" x 13" (x2)

## Base

- B1 Sides (PT 2x4) 25.5" (x2)
- B2 Front/Back (PT 2x4) 15.75" (x2)

# Cat House Plans by My Crappy House

# Plywood Cut Plan



These plans were created to accompany a blog post at [mycrappyhouse.com](http://mycrappyhouse.com) and are provided to you as a courtesy. You are responsible for checking the accuracy of all measurements before cutting your materials. I will not be held liable for errors resulting in damaged goods and I do not guarantee that your finished project will look as fantastic as mine. Use these plans at your own risk.